

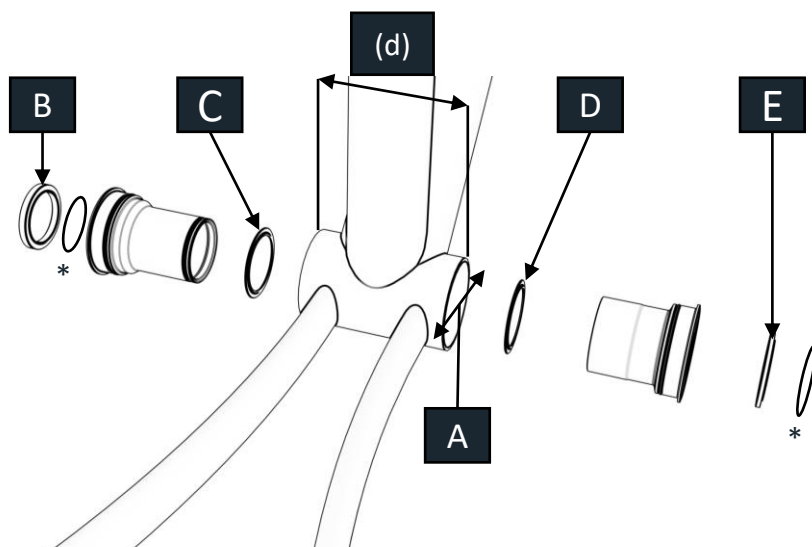
ROAD BIKE 29mm SHAFTS

List of spacers according standard

BIKONE

- A: Frame diameter / Frame standard
- B: Left outer spacer
- C: Left inner spacer
- D: Right inner spacer
- E: Right outer spacer
- (d): Frame width

Note (*): O-rings are placed where (*) shows. See table to check specific models that can use them. Not needed for all models.



Eje Ø29mm Road - Gravel

(A) Frame diameter	(d) Frame width (mm)	Exterior or Interior	Crank Type	* External O-ring	(B) Outer spacer left crankset (mm)	(C) Inner spacer left crankset (mm)	(D) Inner spacer right crankset (mm)	(E) Outer spacer right crankset (mm)	Steel	Ceramic
BSA Threaded (1.37" 24TPI)	68	External	Road	*				2,50	35010148101603	35010159101603
		External	Road - Wide	*	2,00			6,50	35010148101603	35010159101603
	73	External	Road - Wide	*				2,50	35010148101603	35010159101603
ITA Threaded (M36 x 24TPI)	70	External	Road	*				2,00	35010294001603	35010292001603
		External	Road - Wide	*	2,00			4,50	35010294001603	35010292001603
T47 Threaded (M47x1)	68	External	Road					2,00	35010265001603	35010268001603
		External	Road - Wide		2,00			5,00	35010265001603	35010268001603
	77	Asymmetric	Road					2,00	35010271001603	35010274001603
		Asymmetric	Road - Wide		2,00			5,00	35010271001603	35010274001603
	85,5	Internal	Road					3,00	35010151101603	35010163101603
		Internal	Road - Wide		2,00			6,00	35010151101603	35010163101603
	86,5	Internal	Road					2,00	35010151101603	35010163101603
		Internal	Road - Wide		2,00			5,00	35010151101603	35010163101603
T45 Threaded (M45x1)	82,5	Internal	Road					2,00	35010356001603	35010262001603
		Internal	Road - Wide		3,00			4,00	35010356001603	35010262001603
BB86 (Ø41mm)	86,5	Internal	Road	*	1,00			3,00	35010153101603	35010154101603
		Internal	Road - Wide	*	3,00			6,00	35010153101603	35010154101603

*FRAME SPACERS (C & D) NOT INCLUDED IN BOTTOM BRACKET SHELL
WIDE AND SUPER BOOST SPACERS SOLD SEPARATELY

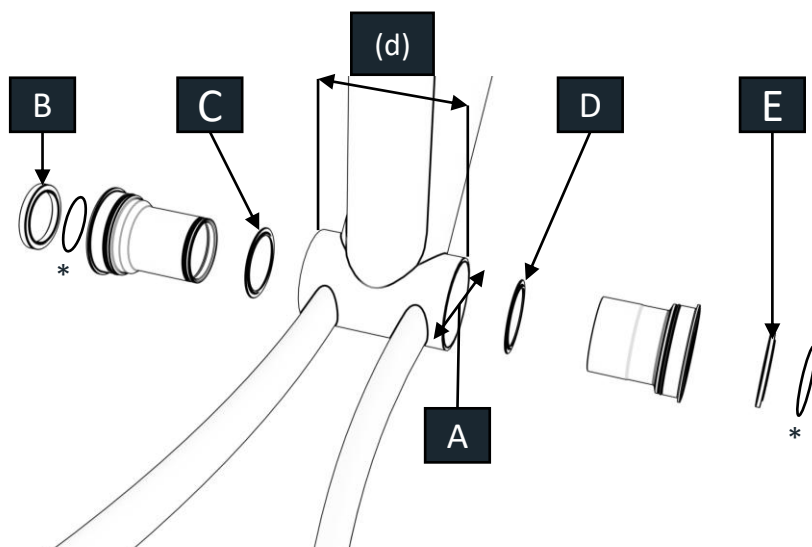
ROAD BIKE 29mm SHAFTS

List of spacers according standard

BIKONE

- A: Frame diameter / Frame standard
- B: Left outer spacer
- C: Left inner spacer
- D: Right inner spacer
- E: Right outer spacer
- (d): Frame width

Note (*): O-rings are placed where (*) shows. See table to check specific models that can use them. Not needed for all models.



Eje Ø29mm Road - Gravel

(A) Frame diameter	(d) Frame width (mm)	Exterior or Interior	Crank Type	* External O-ring	(B) Outer spacer left crankset (mm)	(C) Inner spacer left crankset (mm)	(D) Inner spacer right crankset (mm)	(E) Outer spacer right crankset (mm)	Steel	Ceramic
BBright (Ø46mm)	79	Asymmetric	Road					2,00	35010198001603	35010201001603
		Asymmetric	Road - Wide		2,00			5,00	35010198001603	35010201001603
PF46 / PF30 (Ø46mm)	68	External	Road					2,00	35010193001603	35010196001603
		External	Road - Wide		2,00			5,00	35010193001603	35010196001603
	73	External	Road - Wide					2,00	35010193001603	35010196001603
BB386 / EVO386 (Ø46mm)	86,5	Internal	Road					2,00	35010143101603	35010144101603
		Internal	Road - Wide		2,00			5,00	35010143101603	35010144101603
PF30a-73 (Ø46mm)	73,0	Asymmetric	Road					2,00	35010332001603	35010335001603
BB30a-73 (Ø42mm)	73,0	Asymmetric	Road					2,00	35010348001603	35010350001603
BB30 (Ø42mm)	68,0	External	Road					2,00	35010344001603	35010346001603
PF30a-83 (Ø46mm)	83,0	Asymmetric	Road					2,00	35010338001603	35010341001603

*FRAME SPACERS (C & D) NOT INCLUDED IN BOTTOM BRACKET SHELL
WIDE AND SUPER BOOST SPACERS SOLD SEPARATELY

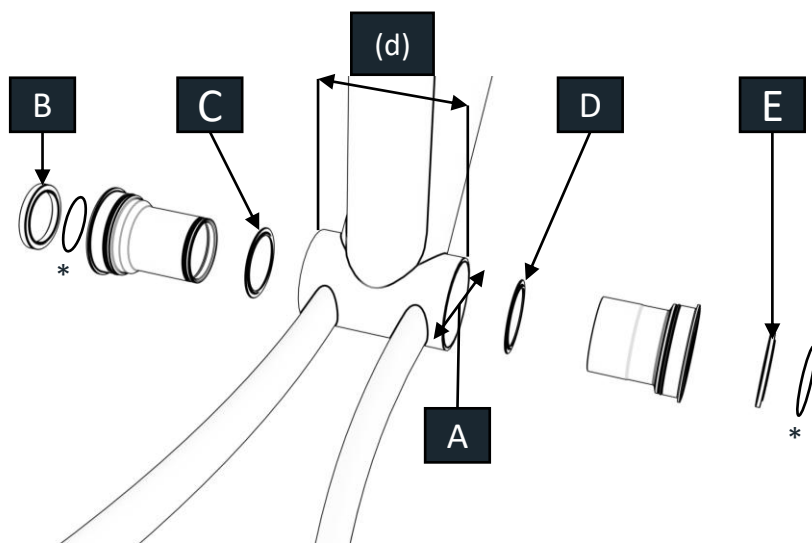
MTB BIKE 29mm SHAFTS

List of spacers according standard

BIKONE

- A: Frame diameter / Frame standard
- B: Left outer spacer
- C: Left inner spacer
- D: Right inner spacer
- E: Right outer spacer
- (d): Frame width

Note (*): O-rings are placed where (*) shows. See table to check specific models that can use them. Not needed for all models.



Eje Ø29mm MTB

(A) Frame diameter	(d) Frame width (mm)	Exterior or Interior	Crank Type	* External O-ring	(B) Outer spacer left crankset (mm)	(C) Inner spacer left crankset (mm)	(D) Inner spacer right crankset (mm)	(E) Outer spacer right crankset (mm)	Steel	Ceramic
BSA Threaded (1.37" 24TPI)	68	External	MTB	*		2,50	2,50	4,50	35010148101603	35010159101603
		External	MTB Wide	*	3,00	2,50	2,50	6,50	35010148101603	35010159101603
	73	External	MTB	*				4,50	35010148101603	35010159101603
		External	MTB Wide	*	3,00			6,50	35010148101603	35010159101603
		73 with Chain Guide*	External	MTB	*			2,50	2,00	35010148101603
External	MTB Wide		*	3,00		2,50	4,50	35010148101603	35010159101603	
T47 Threaded (M47x1)	73	External	MTB					4,00	35010265001603	35010268001603
		External	MTB Wide		2,00			6,50	35010265001603	35010268001603
	92	Internal	MTB					3,00	35010151101603	35010163101603
		Internal	MTB Wide		2,00			6,00	35010151101603	35010163101603
BB92 (Ø41mm)	90	Internal	MTB	*			2,50	5,00	35010153101603	35010154101603
		Internal	MTB Wide	*	3,00		2,50	7,00	35010153101603	35010154101603
	92	Internal	MTB	*				5,00	35010153101603	35010154101603
		Internal	MTB Wide	*	3,00			7,00	35010153101603	35010154101603
PF46 / PF30 (Ø46mm)	73	External	MTB					5,00	35010193001603	35010196001603
		External	MTB Wide		3,00			7,00	35010193001603	35010196001603
BB392 (Ø46mm)	92	Internal	MTB					3,00	35010143101603	35010144101603
		Internal	MTB Wide		2,00			6,00	35010143101603	35010144101603
BB30 (Ø42mm)	73	External	MTB					4,00	35010344001603	35010346001603

*FRAME SPACERS (C & D) NOT INCLUDED IN BOTTOM BRACKET SHELL
WIDE AND SUPER BOOST SPACERS SOLD SEPARATELY