

# ROAD BIKE 30mm SHAFTS

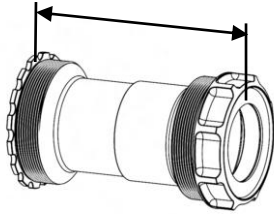
## Spacer guide

### [E] Real BB width:

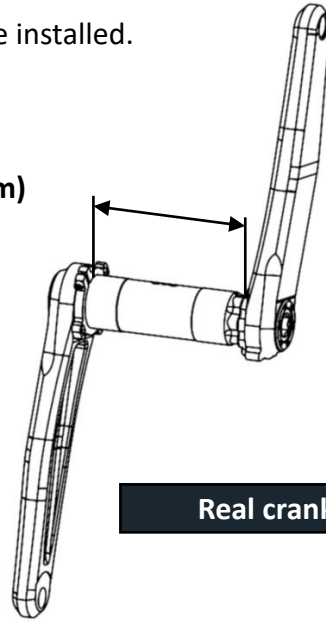
Distance between the two faces of the bottom bracket once installed.  
Shows how many spacers to use during installation:

Measure the “Real crank width”

$$\text{Real crank width} - \text{Real BB width} = \text{N}^\circ \text{ spacers needed (mm)}$$



[E] Real BB width



Real crank width

### 30mm MTB

Frame diameter	Frame Width (mm)	Bearing placement	[E] Real crank width	FSA MEGA EXO BB30 Compatible	Steel	Ceramic
BSA Threaded (1.37" 24TPI)	73	External	93,60	NO Compatible	DCT BSA_30 35010205001603	DCT C BSA_30 35010147101603
T47 Threaded (M47x1)	73	External	92,50	OK	DCT T47_30 EX 35010264001603	DCT C T47_30 EX 35010267001603
	73	Internal	74,50	OK	DCT T47_30 IN 35010150101603	DCT C T47_30 IN 35010162101603
	92	Internal	93,50	NO Compatible	DCT T47_30 IN 35010150101603	DCT C T47_30 IN 35010162101603
BB92 (Ø41mm)	92	Internal	93,00	OK	DCT BB86-92_30 35010160101603	DCT C BB86-92_30 35010161101603
PF46 / PF30 BB392 / EVO392 (Ø46mm)	73	External	92,50	OK	DCT PF46_30 EX 35010194001603	DCT C PF46_30 EX 35010197001603
	73	Internal	74,00	OK	DCT PF46_30 IN 35010141101603	DCT C PF46_30 IN 35010142101603
	68	Internal	69,00	OK	DCT PF46_30 IN 35010141101603	DCT C PF46_30 IN 35010142101603
	83	Internal	84,00	OK	DCT PF46_30 IN 35010141101603	DCT C PF46_30 IN 35010142101603
	92	Internal	93,00	OK	DCT PF46_30 IN 35010141101603	DCT C PF46_30 IN 35010142101603
BB30 (Ø42mm)	73	Internal	73,00	OK	Bearing replacement 6806 2RS/C3/P5 35010280001804	Bearing replacement 6806 CH/2RS/C3/P5 35010283001804
PF30a-83 (Ø46mm)	83,0	Asymmetric	87,60	OK	DCT PF30-83a_30 35010339001603	DCT C PF30-83a_30 35010342001603

\*SPACERS ARE NOT INCLUDED IN THE BOTTOM BRACKET

### 30mm ROAD - GRAVEL

(A) Diámetro cuadro	(d) Ancho cuadro (mm)	Bearing placement	Ancho mínimo efectivo biela	FSA MEGA EXO BB30 Compatible	Steel	Ceramic
BSA Threaded (1.37" 24TPI)	68	External	88,60	NO Compatible	DCT BSA_30 35010205001603	DCT C BSA_30 35010147101603
ITA Threaded (M36 x 24TPI)	70	External	90	NO Compatible	DCT ITA_30 35010296001603	DCT C ITA_30 35010293001603
T47 Threaded (M47x1)	68	External	87,50	OK	DCT T47_30 EX 35010264001603	DCT C T47_30 EX 35010267001603
	77 - A	Asymmetric	87,50	OK	DCT T47a_30 35010270001603	DCT C T47a_30 35010273001603
	85,5 - Trek	Internal	87,00	OK	DCT T47_30 IN 35010150101603	DCT C T47_30 IN 35010162101603
	86,5	Internal	88,00	OK	DCT T47_30 IN 35010150101603	DCT C T47_30 IN 35010162101603
BB86 (Ø41mm)	86,50	Internal	87,50	OK	DCT BB86-92_30 35010160101603	DCT C BB86-92_30 35010161101603
T45 Threaded (M45x1)	82,50	Internal	87,50	OK	DCT T45_30 35010355001603	DCT C T45_30 35010261001603
BBright (Ø46mm)	79,00	Asymmetric	87,80	OK	DCT BBright 79_30 35010199001603	DCT C BBright 79_30 35010202001603
BB386 EVO386 PF46 PF30 (Ø46mm)	68	External	86,60	OK	DCT PF46_30 EX 35010194001603	DCT C PF46_30 EX 35010197001603
	68	Internal	69,00	OK	DCT PF46_30 IN 35010141101603	DCT C PF46_30 IN 35010142101603
	73	Internal	74,00	OK	DCT PF46_30 IN 35010141101603	DCT C PF46_30 IN 35010142101603
	86,5	Internal	87,50	OK	DCT PF46_30 IN 35010141101603	DCT C PF46_30 IN 35010142101603
PF30a-73 (Ø46mm)	73	Asymmetric	87,35	OK	DCT PF30-73a_30 35010333001603	DCT C PF30-73a_30 35010336001603
PF30a-83 (Ø46mm)	83	Asymmetric	87,60	OK	DCT PF30-83a_30 35010339001603	DCT C PF30-83a_30 35010342001603
BB30 (Ø42mm)	68	External	68,00	OK	Bearing replacement 6806 2RS/C3/P5 35010280001804	Bearing replacement 6806 CH/2RS/C3/P5 35010283001804

\*SPACERS ARE NOT INCLUDED IN THE BOTTOM BRACKET