

Before Installation

Use the tools recommended in this manual.
 Do not modify the product in any way that could be a risk to the rider or other people.
 Any modification to the product will void the warranty.
 When in doubt, consult your authorized Bikone workshop or download it from:
<https://www.bikone.com/downloads/>

During Use

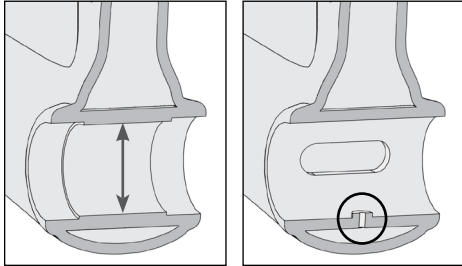
Check that there is no lateral movement of the crankset and rotate properly,
 Make sure the cranks are properly adjusted and torqued to the manufacturer's recommended torque.
 Do not use brake cleaner when cleaning components or other products that may corrode the materials.
 Do not use carbon paste under any circumstances.

Assembly Instructions for
 PowerSet - Threaded
 T47 / T47a for Shimano

Installation

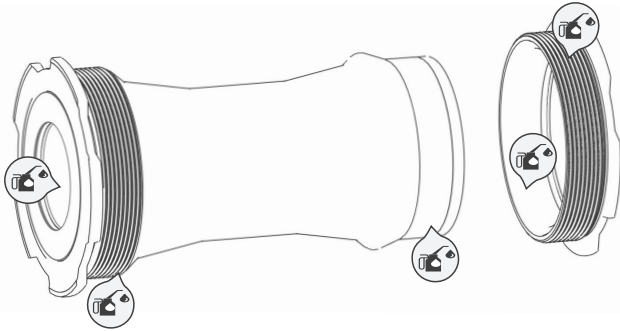
Attention! Check your frame

Some frames may have screws in the central part that must be changed for shorter ones or steps that block the interior installation.



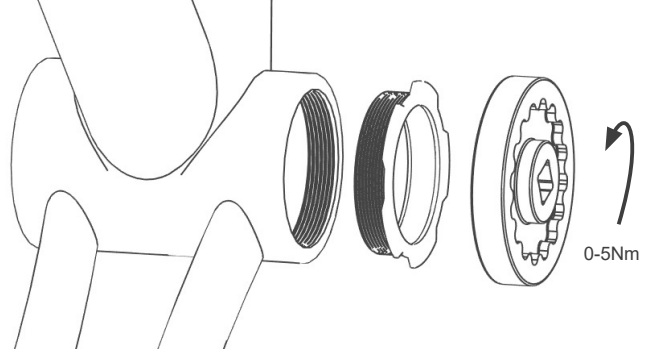
Assembly Tool:
 PowerSet T47 / T47a Tool
 We recommend to use standard assembly greases such as:
 FinishLine Premium Grease / Park Tool PPL-1 Polyube 1000 / Mobile 1 Synthetic Grease / Muc-Off Biological Grease / Others
Do not use carbon paste under any circumstances

01 - Grease the surfaces



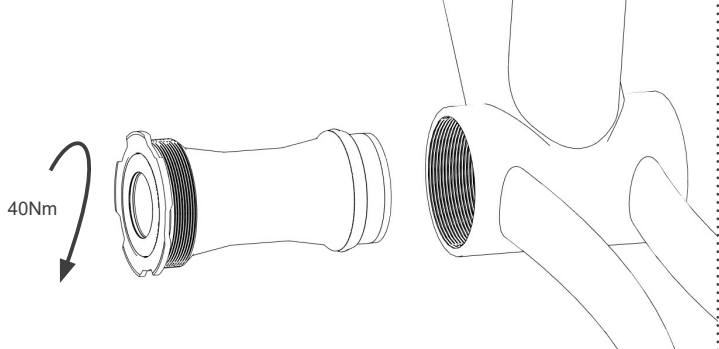
Apply grease to the indicated contact surfaces, including the surfaces in contact with the connecting rod.

02 - Install "R" bushing



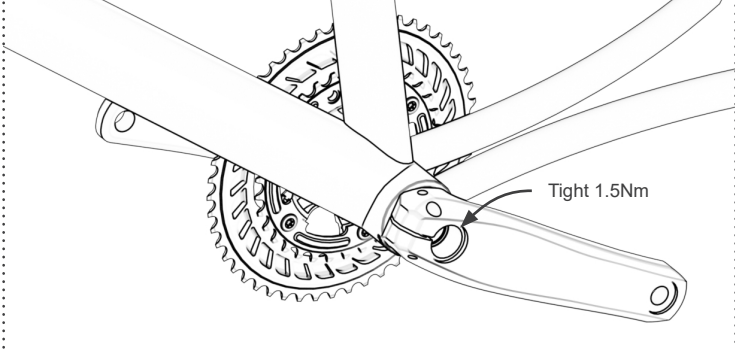
Install the right side.
 With the help of the assembly tool, apply up to 5Nm. **Do not overtight.**

03 - Install "L" bushing



Install Left side
 With the help of the "assembly wrench" apply 40Nm.

04 - Install Crankset



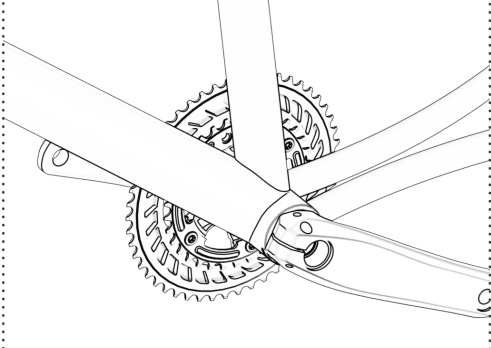
Grease and install the crankset following the manufacturer's assembly steps.
The tightening of the crankset screw must be 40Nm. Make sure that the inner carbon spacer gets in place.

Dissassembly

Tool Required

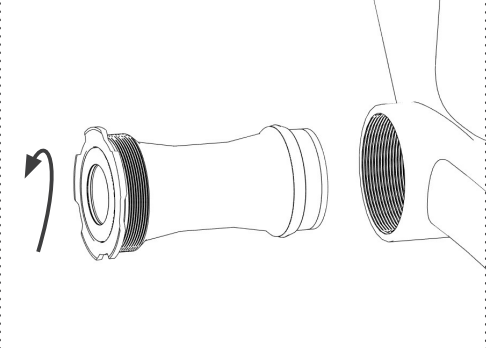
PowerSet T47 / T47a Tool. Included with the purchase of the bottom bracket.

01 - Remove crankset



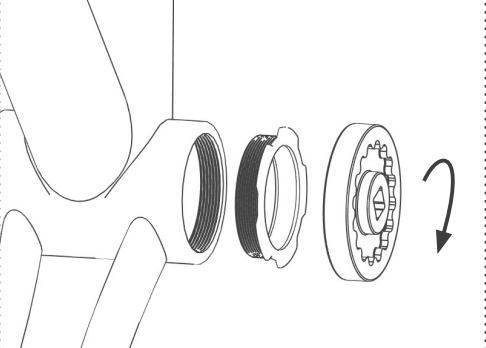
Remove crankset.

02 - Loosen "L"



Loosen the "L" bushing.
Don't loosen the right side before the left side.

02 - Loosen "R"



Loosen the "R" bushing.

Warranty

All Bikone bottom brackets are guaranteed against product defects for 3 years from the date of purchase.
This warranty applies to the original owner and is not transferable to future owners.
The warranty does not cover damage caused by use on wearable parts.
The warranty does not cover damage caused by improper installation.
Please visit our website for more information or visit an authorized retailer.