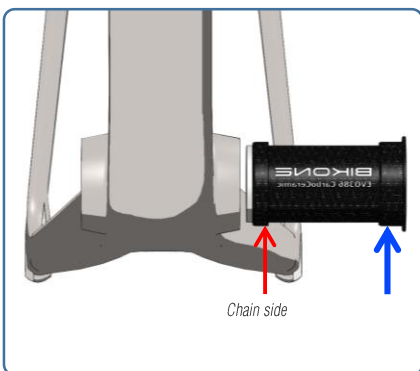
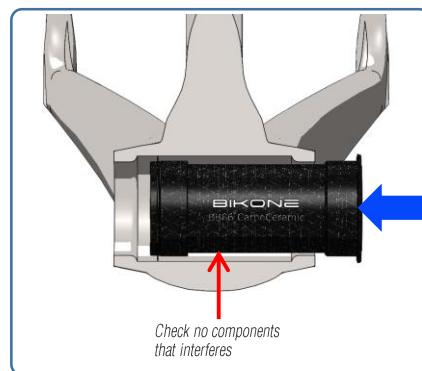


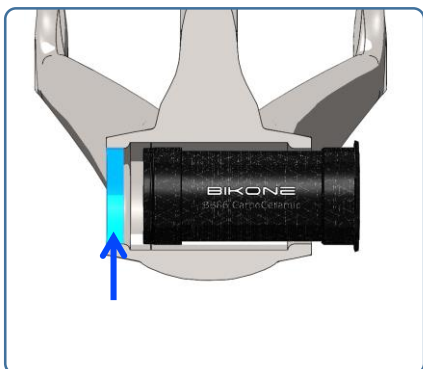
1. Check and remove internal obstructions in the bottom bracket frame shell



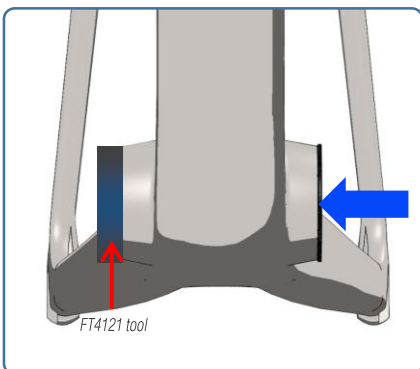
2. Apply grease and check to position according "Chain side" advise.



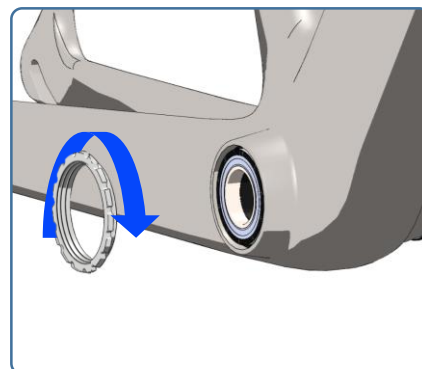
3. Press half of the shell. NEVER PRESS DIRECTLY TO BEARINGS. Check that aren't interferences in the frame



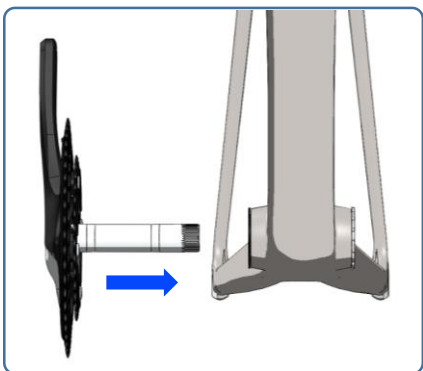
4. Ensure that bottom bracket is frame shell centered. Apply grease.



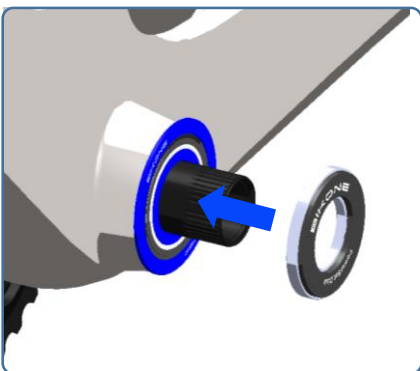
5. Press with FT4124. NEVER PRESS DIRECTLY TO BEARINGS



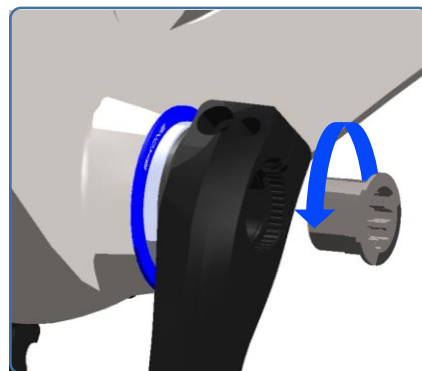
6. Screw the nut max. 25 N.m



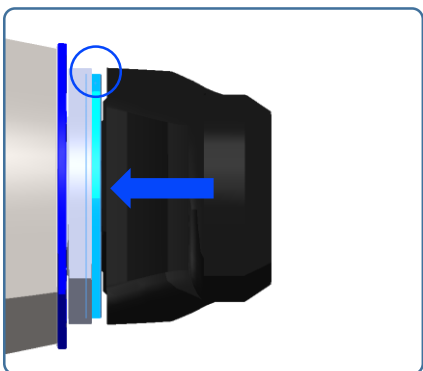
7. Insert right crank set



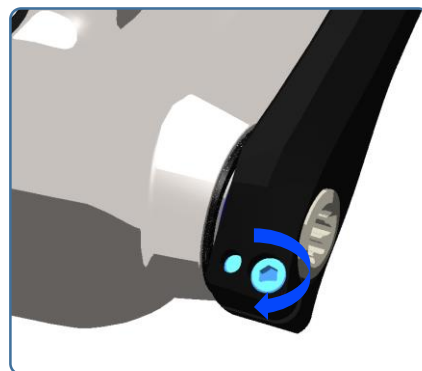
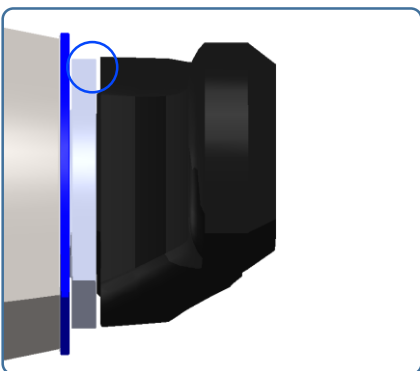
8. Fit the PowerSet Disk with marking outside



9. Screw the crankset nut



10. Screw the crank set screw nut until the PowerSet Disk is completely closed (the colored ring is hidden inside the aluminum cup)



11. Screw crank set according manufacturer specification